



VRLA Rechargeable Battery

BP7-6 (BP7-6FR)



FEATURES

- Maintenance free(no water topping-up required).
- No free acid(Non-spillable battery).
- Low self-discharge rate, lower than 3% capacity loss per month.
- Can be used in any orientation(excluding used inverted).
- Absorbent Glass Mat technology for efficient gas recombination.

APPLICATION

- UPS
- Fans
- Electronic Toy-Cars
- Emergency Lights
- Rechargeable Flashlights



SPECIFICATIONS

Nominal Voltage	6 V
Nominal Capacity	7.0Ah @ 20 hour rate F.V.(1.75V/cell)
Approx. Weight	1260g(2.78lbs.)
Terminals	T1 (Faston Tab 187) T2 is optional
Internal Resistance	≤16mΩ (Fully Charged)
Max. Discharge Current	105 A (5 sec.)
Max. Charge Current	2.1 A
Operating Temperature Range	Charge : 0°C~40°C(32°F~104°F) Discharge : -20°C~50°C(-4°F~122°F) Storage. : -20°C~40°C(-4°F~104°F)
Container Material	ABS(UL94-HB, UL94-V0 is optional)

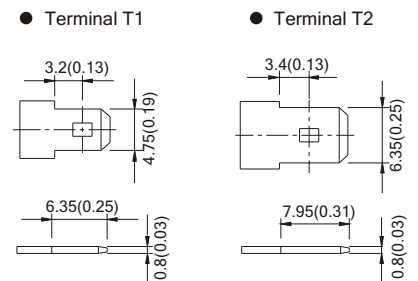
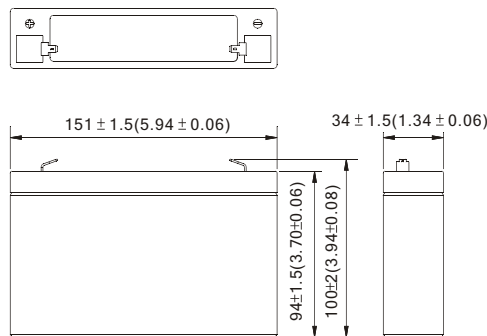
ISO 9001	
ISO14001	
UL	
CE	
<ul style="list-style-type: none"> ● IEC 61056-1 ● JIS C 8702-1 ● GB/T 19639.1 	

DIMENSION(mm/inch)

OUTER DIMENSIONS

TERMINAL TYPE

- **Length**
151±1.5 (5.94±0.06)
- **Width**
34±1.5 (1.34±0.06)
- **Container Height**
94±1.5 (3.70±0.06)
- **Total Height**
100±2.0 (3.94±0.08)



Constant power discharge characteristics at 25 °C/77 °F

Unit: W

Discharge Time F.V. (V/cell)	5 Min	10 Min	15 Min	30 Min	1 Hr	3 Hr	5 Hr	10 Hr	20 Hr
1.80V	126.5	93.2	74.7	44.4	25.5	10.20	7.03	3.931	2.069
1.75V	146.5	100.9	78.1	46.1	26.2	10.41	7.14	3.990	2.100
1.70V	155.6	104.5	80.5	47.2	26.7	10.50	7.18	4.010	2.112
1.65V	162.6	107.1	82.4	47.8	27.0	10.57	7.20	4.022	2.118
1.60V	168.0	109.2	84.0	48.3	27.3	10.64	7.23	4.022	2.118

Constant current discharge characteristics at 25 °C/77 °F

Unit: A

Discharge Time F.V. (V/cell)	5 Min	10 Min	15 Min	30 Min	1 Hr	3 Hr	5 Hr	10 Hr	20 Hr
1.80V	22.80	16.40	12.98	7.53	4.28	1.70	1.172	0.655	0.345
1.75V	26.87	17.77	13.58	7.81	4.41	1.73	1.190	0.665	0.350
1.70V	28.55	18.41	14.00	7.99	4.49	1.75	1.196	0.668	0.352
1.65V	29.84	18.85	14.32	8.11	4.54	1.76	1.201	0.670	0.353
1.60V	30.83	19.23	14.61	8.19	4.59	1.77	1.204	0.670	0.353

All data shall be changed without prior notice, BB reserves the right to explain and update the information contained herein.